

C A M B R I D G E

MODEL CSW-15AT-CS CRANE SCALE SERIES

**WIRELESS
REMOTE CONTROL
&
1 1/2" BRIGHT RED
LED DISPLAY**

Applications:

- Shipping & Receiving
- General Purpose Weighing
- Work - In Process
- Anywhere an overhead crane is used and weight readings are desired.

Standard Features Include:

- Cast Aluminum Enclosure
- AC/Battery Operation - 20 hrs. between charges
Includes Battery with Internal Battery Charger
and External Wall Battery Charger
- Selectable Sleep Mode to Conserve Battery Power
- Weight Totalization
- Net / Gross Display Modes
- Full Range Auto Tare
- Adjustable Sample Rate
- Digital Filtering
- All Pushbutton Controls
- 1 1/2" Red LED Display with Selectable Brightness
- On / Off Switch
- Center of Zero Annunciator
- Lb / Kg Conversion
- Span Adjustment at Increasing or Decreasing Weights
- 1 to 5 Points of Digital Calibration
- Full Range Push Button Zero
- Auto Zero Tracking
- Adjustable Motion Detection
- 150% Safe Overload of Load Cell
- 300% Ultimate Overload of Load Cell
- Light Weight for Easy Handling and Transport.
Approx. 25 lbs depending on capacity. See back
page for optional ultra-tough carrying case.
- Keypad Calibration with Audit Trail
- Wireless Remote Control

Approvals:



COC # 11-073 MADE IN THE USA

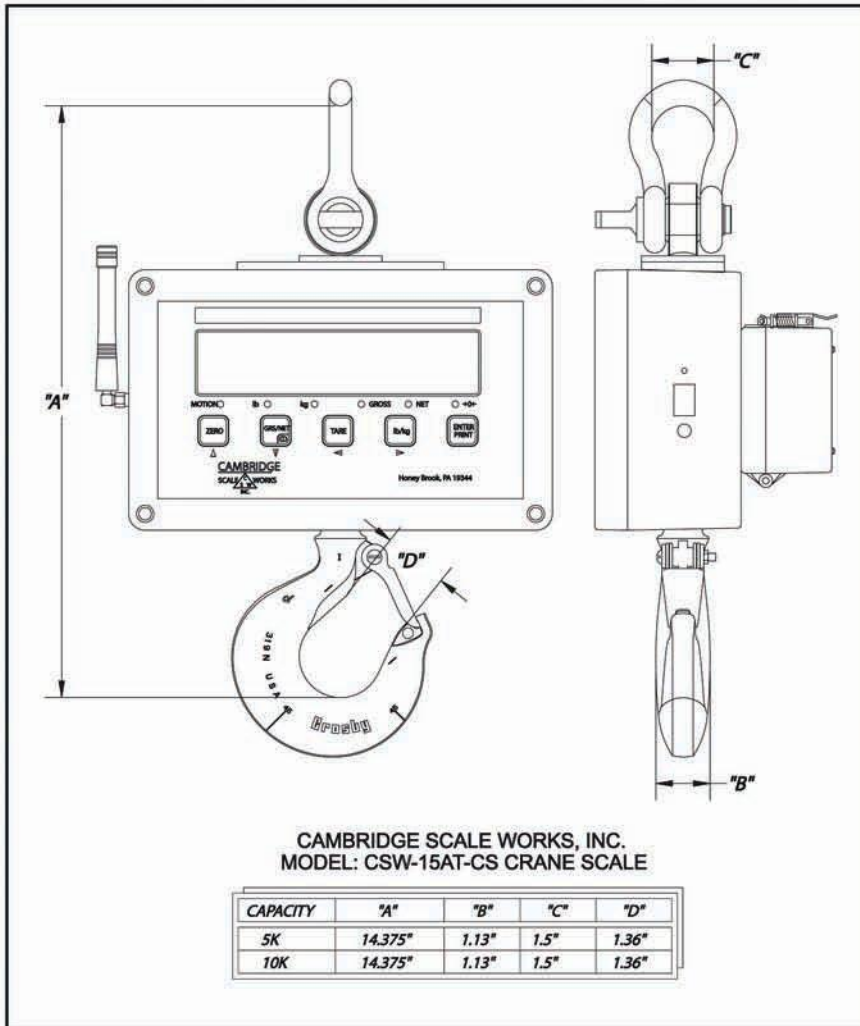


Spring loaded latch on battery compartment allows quick and easy access to the battery. The Model CSW-15AT-CS Crane Scale includes battery, internal battery charger with AC adapter/cable and external wall mount charger for continuous A/C or battery operation.

CAMBRIDGE

MODEL CSW-15AT-CS CRANE SCALE SERIES

| Model Number | Capacity & Graduation | Standard Eye & Hook | Approx. Ship Weight |
|-----------------|-----------------------|----------------------------|---------------------|
| CSW-15AT-CS-5K | 5,000 lbs. X 1 lb. | 5 Ton Shackle / 5 Ton Hook | 23 lbs. |
| CSW-15AT-CS-10K | 10,000 lbs. X 2 lbs. | 5 Ton Shackle / 5 Ton Hook | 25 lbs. |



Dimensions subject to change without notice. Consult factory for all space restricted applications.

Includes battery, internal battery charger with AC adapter/cable and external wall mount charger for continuous A/C or battery operation.



Options:

- Rugged Storage-Carrying Case
- Spare Battery



Optional Rugged Storage-Carrying Case shown with optional Spare Battery

SONICH INDUSTRIAL SALES CO., INC.

CLEVELAND, OHIO

(440) 546-1170 Fax (440) 546-9141

www.sonichindustrial.com

Email: sales@sonichindustrial.com

Cambridge Scale Works, Inc. will warrant this product for one full year against defects in material and/or workmanship.