

TeleChief® Series

TM2000 / TM4000 / TM6000



The TeleChief® series are compact hand-held 4, 6, and 8 button radio remote controls that are suited to a variety of remote control applications. These radio controls are an ideal solution for (but not limited to) lift tables, transfer cars, chain hoists, boat ramps, conveyor systems, and tailgate lifts.

Key Features

- Puts operator in control at a safe distance
- Long range operation of up to 328 ft. (100 meters)
- Configurable auxiliary contact (RO) for normal open/closed operations
- Very efficient power management allows long battery life
- 32-bit security code (4.1 billion addresses)
- Operating temperature: -45°C ~+ 80°C
- 1 year warranty from date of purchase
- NEMA 4/IP65 rated enclosures
- Advanced compact circuit design
- 80 operating channels
- Error detection and correction
- Glass fiber/ABS construction



TM2000



TM4000

TM6000



Receiver

Safety

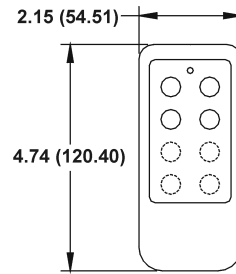
The wireless technology incorporates the latest advancements in RF and microprocessor design. Such features as jammed push button detection, low battery alert and unique 32-bit ID codes assure safe, reliable control. Choosing the safest and most convenient operating position is the most important safety feature in this wireless technology.

Reliability

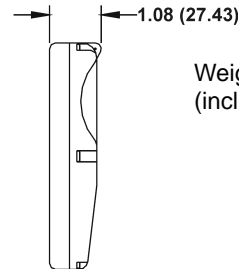
Extensive use of SMT technology and advanced digital technology reduces the part count and simplifies design. All circuitry is shock-proof mounted within a rigid glass filled nylon enclosure for long service life. This commitment to reliability is backed by a 1-year warranty.

Transmitter Specifications

- Very lightweight (155g) with batteries
- Runs on 2 standard alkaline batteries
- Includes low power indicator
- Jammed button detection
- Modulation: FM
- Internal antenna
- Shock resistant
- Very low power consumption
- Long battery life



Transmitter Dimensions

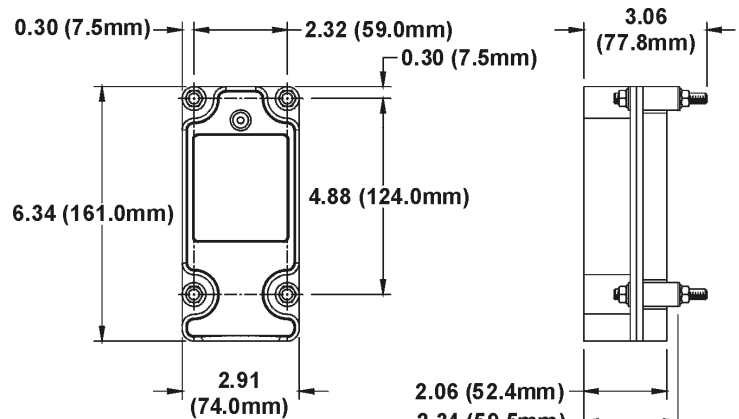


Weight: .34 lbs.
(including batteries)

Receiver Specifications

- Multiple supply voltages:
DC Type: 12~24 volts DC
AC Type: 48/100, 110/220, 230/380 VAC
(110/220 Default)
- Power-on/mainline contact
- LED display of power and contact closure status
- Sensitivity: Approx. -105 dBm
- Pre-wire 6 ft. (1.83 meter) cable
- Control relay rating:
10A @ 125 VAC
5A @ 250 VAC
8A @ 30 VDC
- 4-point shock mount designed for demanding mobile and industrial applications
- Independent common configuration for mixed control voltage applications

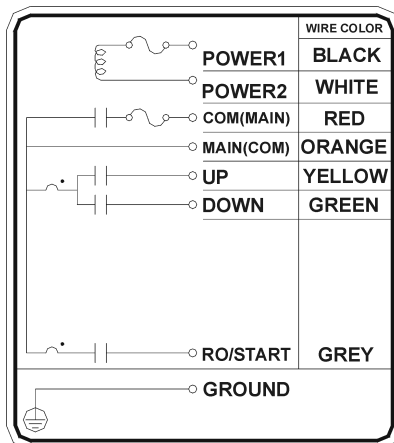
Receiver Dimensions



Weight: 2.4 lbs.
(less cable)

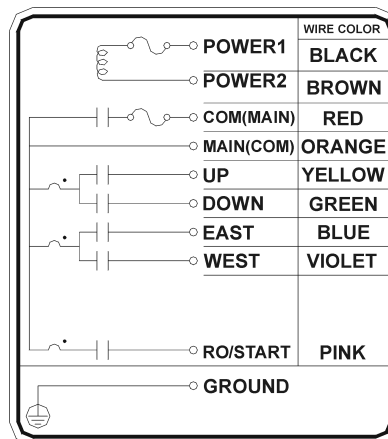
Wiring Diagrams

TM2000



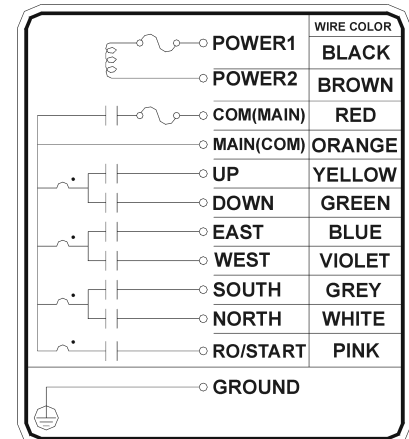
4-button wiring schematic

TM4000



6-button wiring schematic

TM6000



8-button schematic

CONTROL CHIEF CORPORATION

200 Williams Street, P.O. Box 141 Bradford, PA 16701

1-800-233-3016 814-362-6811 FAX: 814-368-4133

www.controlchief.com

